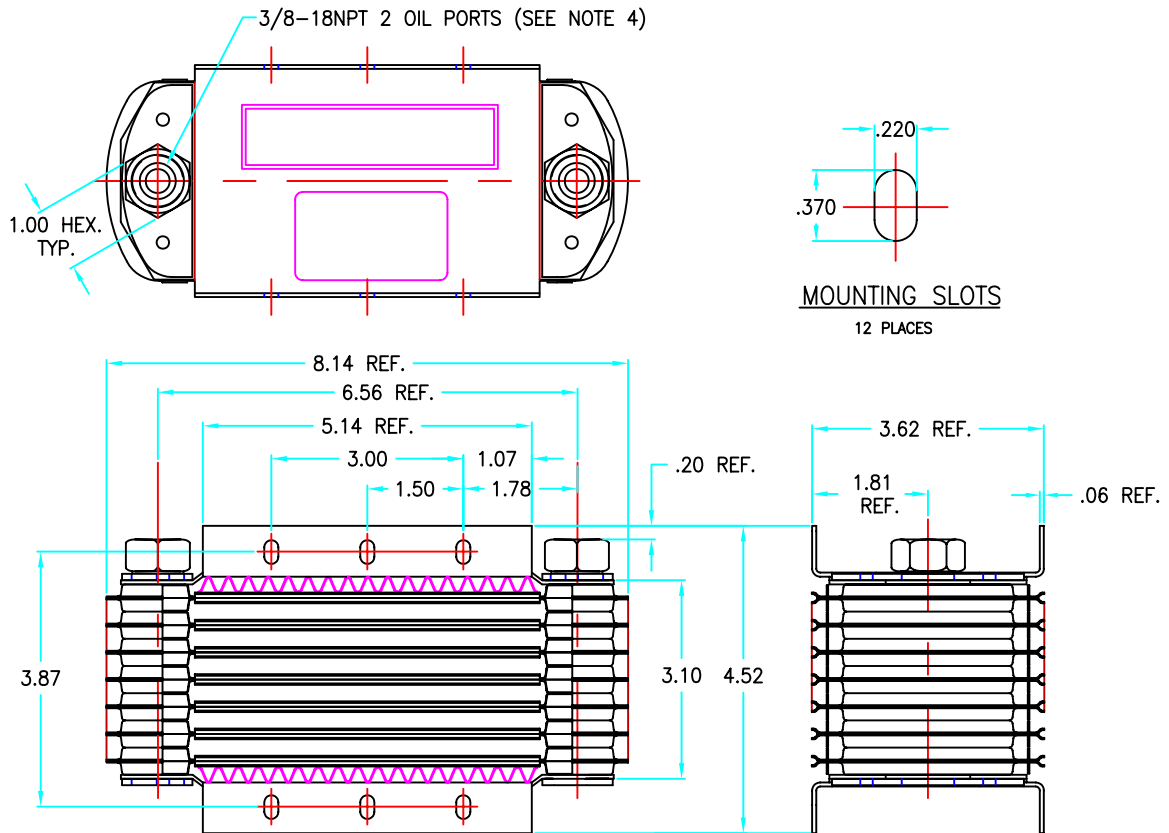


3

2

1

THIS DRAWING AND SPECIFICATIONS ARE THE PROPERTY OF AIRFLOW SYSTEMS AND ARE ISSUED IN STRICT CONFIDENCE. THEY SHALL NOT BE REPRODUCED, COPIED, OR USED AS THE BASIS FOR MANUFACTURE OR SALE OF MATTER DEPICTED HEREIN WITHOUT WRITTEN PERMISSION.



Airflow Systems

NOTES:

1. TEST PRESSURE 400 PSIG HYDROSTATIC
2. SURFACE TREATMENT PER MIL-C-5541 CLASS 1A
3. UNIT MAY BE OUT OF SQUARE .06 PER FOOT IN ANY DIRECTION.
4. AN MALE & FEMALE PORTS UPTO -12 MAY BE SUPPLIED WELDED IN AS A CUSTOM PART

Part Number	Description
NDM 20002A	Oil Cooler, Aircraft, Certified & Experimental
<p>AVAILABLE FROM:</p> <p>AIRFLOW SYSTEMS</p> <p>HIGH PERFORMANCE HEAT EXCHANGERS</p> <p>(949)-218-9701 (VOICE) (949)-218-9705 (FAX)</p> <p>WWW.AIRFLOW-SYSTEMS.COM</p>	

3

2

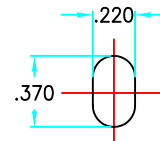
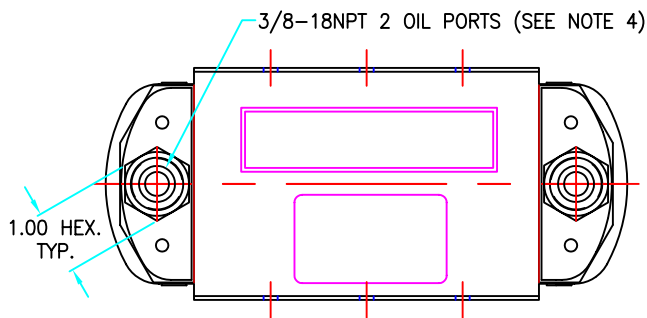
1

3

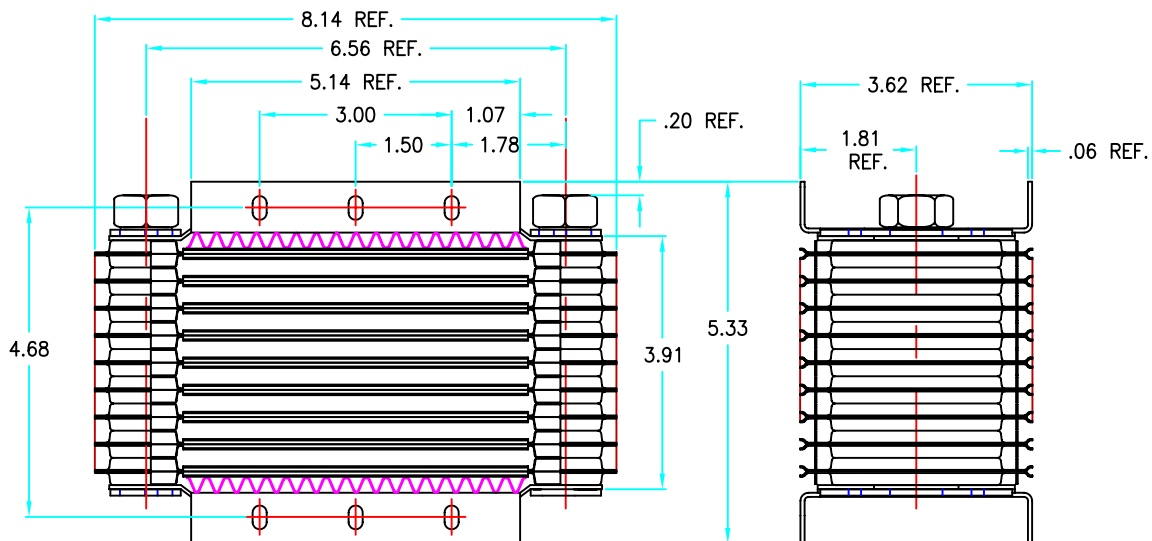
2

1

THIS DRAWING AND SPECIFICATIONS ARE THE PROPERTY OF AIRFLOW SYSTEMS AND ARE ISSUED IN STRICT CONFIDENCE. THEY SHALL NOT BE REPRODUCED, COPIED, OR USED AS THE BASIS FOR MANUFACTURE OR SALE OF MATTER DEPICTED HEREIN WITHOUT WRITTEN PERMISSION.



MOUNTING SLOTS
12 PLACES



Airflow Systems

NOTES:

1. TEST PRESSURE 400 PSIG HYDROSTATIC
2. SURFACE TREATMENT PER MIL-C-5541 CLASS 1A
3. UNIT MAY BE OUT OF SQUARE .06 PER FOOT IN ANY DIRECTION.
4. AN MALE & FEMALE PORTS UP TO -12 MAYBE SUPPLIED WELDED IN AS A CUTOM PART

Part Number	Description
NDM 20003A	Oil Cooler, Aircraft, Certified & Experimental
<p>AVAILABLE FROM:</p> <p>AIRFLOW SYSTEMS</p> <p>HIGH PERFORMANCE HEAT EXCHANGERS</p> <p>(949) 218-9701 (VOICE) (949) 218-9705 (FAX) WWW.AIRFLOW-SYSTEMS.COM</p>	

3

2

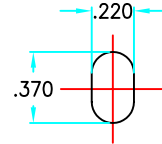
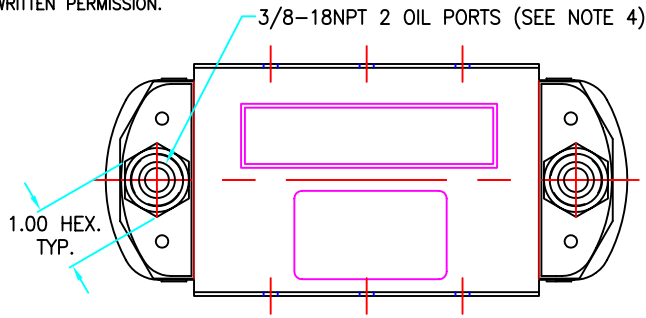
1

3

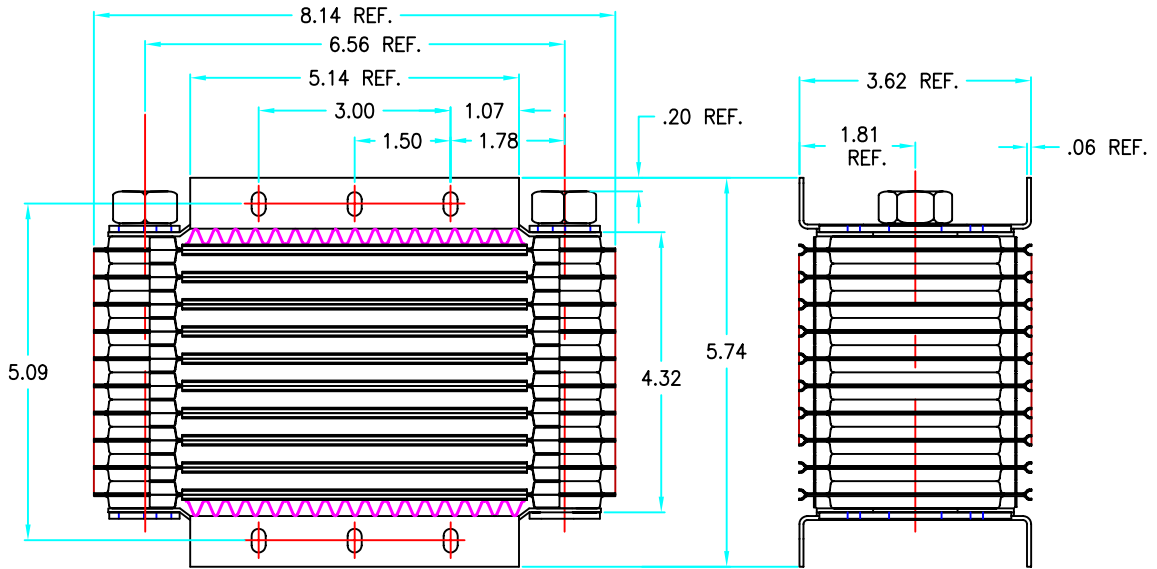
2

1

THIS DRAWING AND SPECIFICATIONS ARE THE PROPERTY OF AIRFLOW SYSTEMS AND ARE ISSUED IN STRICT CONFIDENCE. THEY SHALL NOT BE REPRODUCED, COPIED, OR USED AS THE BASIS FOR MANUFACTURE OR SALE OF MATTER DEPICTED HEREIN WITHOUT WRITTEN PERMISSION.




MOUNTING SLOTS
12 PLACES



Airflow Systems

NOTES:

1. TEST PRESSURE 400 PSIG HYDROSTATIC
2. SURFACE TREATMENT PER MIL-C-5541 CLASS 1A
3. UNIT MAY BE OUT OF SQUARE .06 PER FOOT IN ANY DIRECTION.
4. AN MALE & FEMALE PORTS UP TO -12 MAY BE SUPPLIED WELDED IN AS A CUSTOM PART

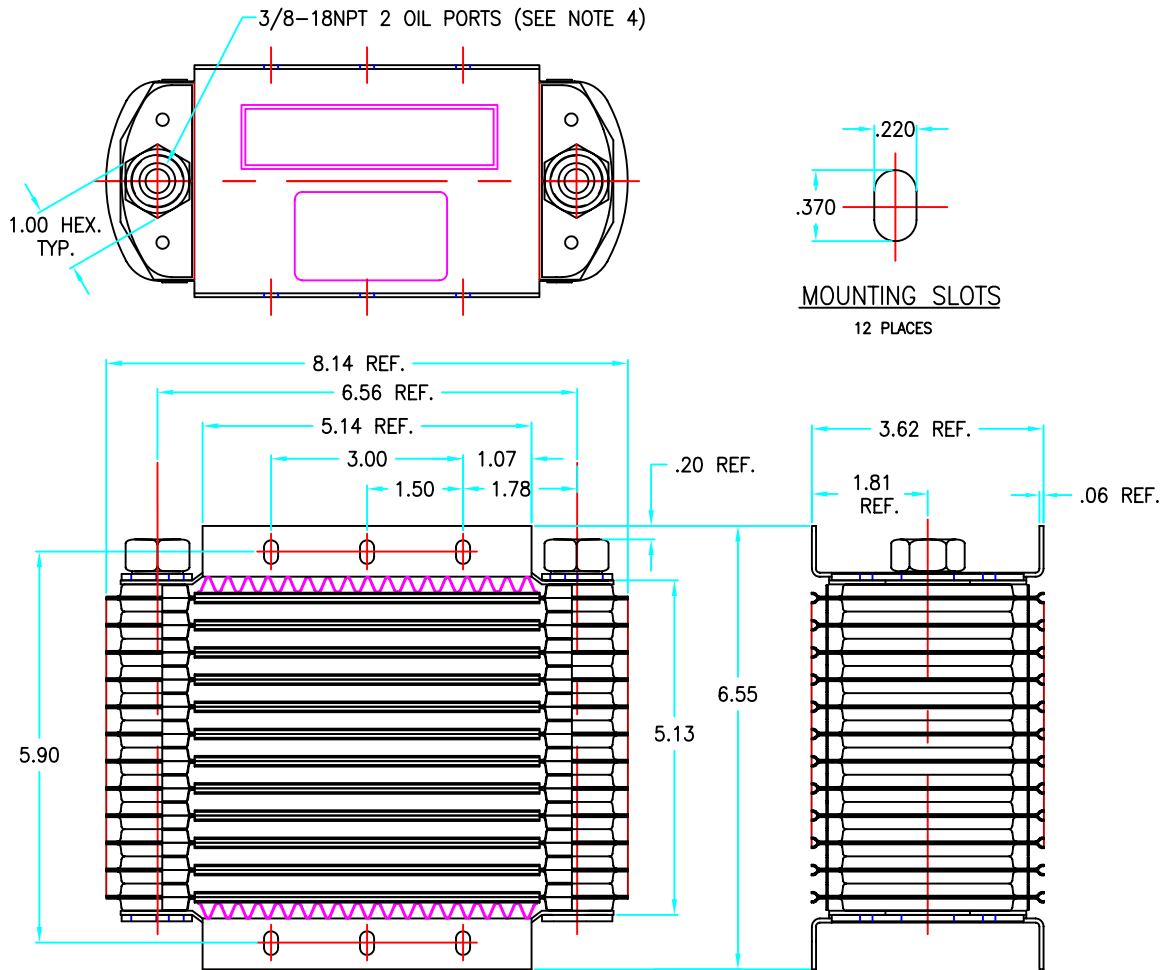
Part Number	Description
NDM 20004A	Oil Cooler, Aircraft, Certified & Experimental
AVAILABLE FROM:  AIRFLOW SYSTEMS HIGH PERFORMANCE HEAT EXCHANGERS	(949)218-9701 (VOICE) (949)218-9705 (FAX) WWW.AIRFLOW-SYSTEMS.COM

3

2

1

THIS DRAWING AND SPECIFICATIONS ARE THE PROPERTY OF AIRFLOW SYSTEMS AND ARE ISSUED IN STRICT CONFIDENCE. THEY SHALL NOT BE REPRODUCED, COPIED, OR USED AS THE BASIS FOR MANUFACTURE OR SALE OF MATTER DEPICTED HEREIN WITHOUT WRITTEN PERMISSION.



NOTES:

1. TEST PRESSURE 400 PSIG HYDROSTATIC
2. SURFACE TREATMENT PER MIL-C-5541 CLASS 1A
3. UNIT MAY BE OUT OF SQUARE .06 PER FOOT IN ANY DIRECTION.
4. AN MALE & FEMALE PORTS UP TO -12 MAY BE SUPPLIED WELDED IN AS A CUSTOM PART

Airflow Systems

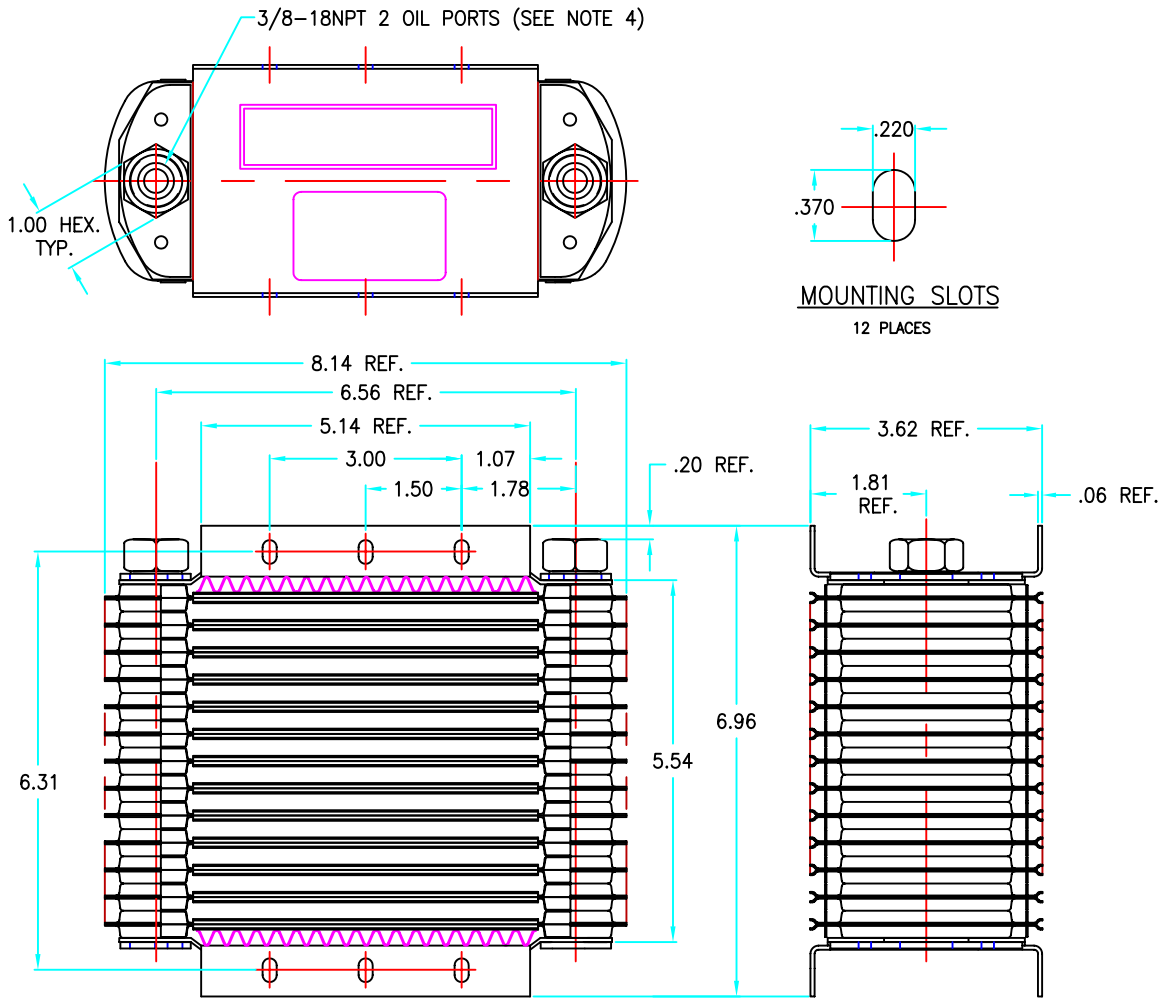
Part Number	Description
NDM 20005A	Oil Cooler, Aircraft, Certified & Experimental
<p>AVAILABLE FROM:</p> <p style="text-align: center;">AIRFLOW SYSTEMS</p> <p>HIGH PERFORMANCE HEAT EXCHANGERS</p> <p style="text-align: right;">(949) 218-9701 (VOICE) (949) 218-9705 (FAX) WWW.AIRFLOW-SYSTEMS.COM</p>	

3

2

1

THIS DRAWING AND SPECIFICATIONS ARE THE PROPERTY OF AIRFLOW SYSTEMS AND ARE ISSUED IN STRICT CONFIDENCE. THEY SHALL NOT BE REPRODUCED, COPIED, OR USED AS THE BASIS FOR MANUFACTURE OR SALE OF MATTER DEPICTED HEREIN WITHOUT WRITTEN PERMISSION.



NOTES: Airflow Systems

1. TEST PRESSURE 400 PSIG HYDROSTATIC
2. SURFACE TREATMENT PER MIL-C-5541 CLASS 1A
3. UNIT MAY BE OUT OF SQUARE .06 PER FOOT IN ANY DIRECTION.
4. AN MALE & FEMALE PORTS UP TO -12 MAY BE SUPPLIED WELED IN AS A CUSTOM PART

Part Number	Description
NDM 20006A	Oil Cooler, Aircraft, Certified & Experimental
<p style="text-align: center;">AVAILABLE FROM:</p> <p style="text-align: center;">AIRFLOW SYSTEMS</p> <p style="text-align: center;">HIGH PERFORMANCE HEAT EXCHANGERS</p> <div style="float: right; text-align: right;"> <p>(949) 218-9701 (VOICE)</p> <p>(949) 218-9705 (FAX)</p> <p>WWW.AIRFLOW-SYSTEMS.COM</p> </div>	

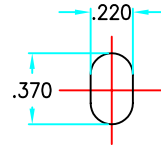
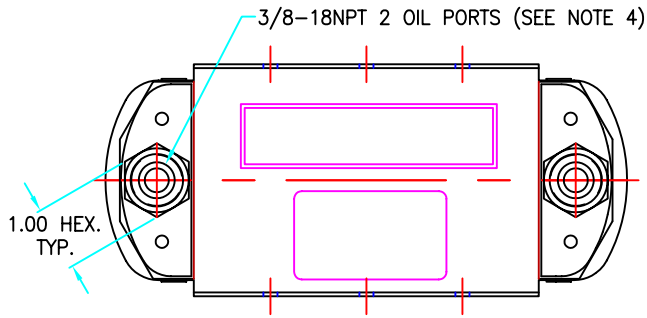
3

2

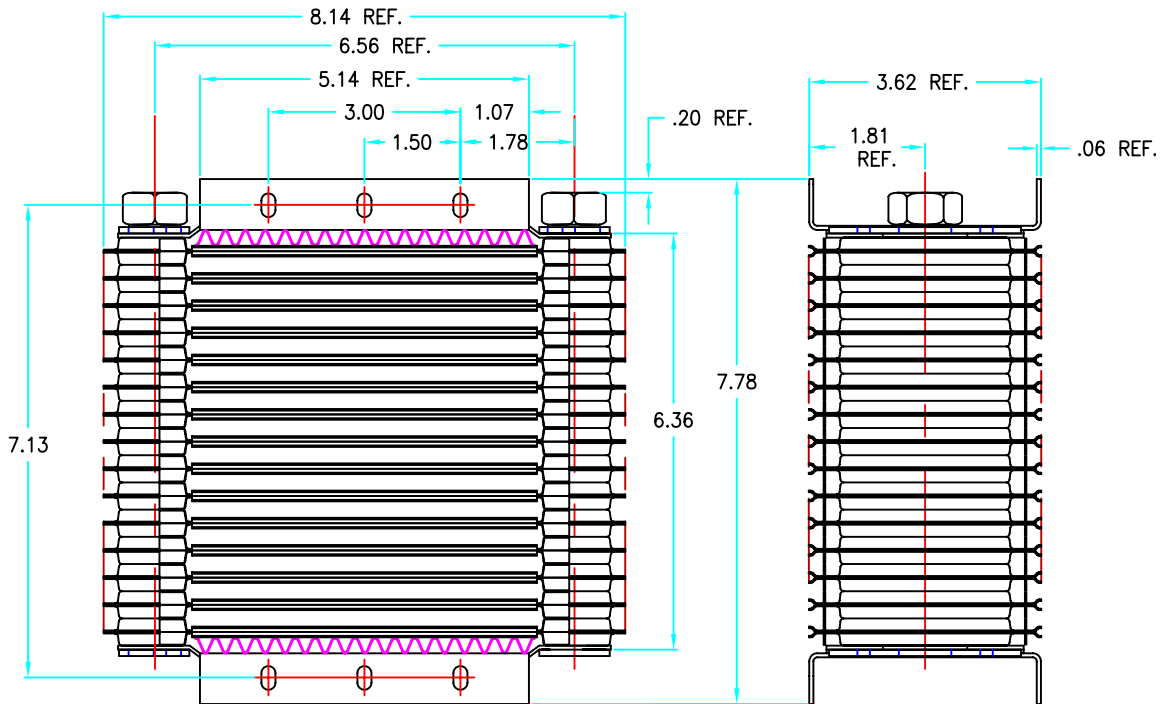
1

Airflow Systems

THIS DRAWING AND SPECIFICATIONS ARE THE PROPERTY OF AIRFLOW SYSTEMS AND ARE ISSUED IN STRICT CONFIDENCE. THEY SHALL NOT BE REPRODUCED, COPIED, OR USED AS THE BASIS FOR MANUFACTURE OR SALE OF MATTER DEPICTED HEREIN WITHOUT WRITTEN PERMISSION.



MOUNTING SLOTS
12 PLACES



NOTES:

1. TEST PRESSURE 400 PSIG HYDROSTATIC
2. SURFACE TREATMENT PER MIL-C-5541 CLASS 1A
3. UNIT MAY BE OUT OF SQUARE .06 PER FOOT IN ANY DIRECTION.
4. AN MALE & FEMALE PORTS UP TO -12 MAY BE SUPPLIED WELDED IN AS A CUSTOM PART

Part Number	Description
NDM 20007A	Oil Cooler, Aircraft, Certified & Experimental

AVAILABLE FROM:

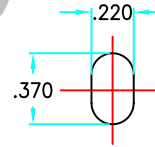
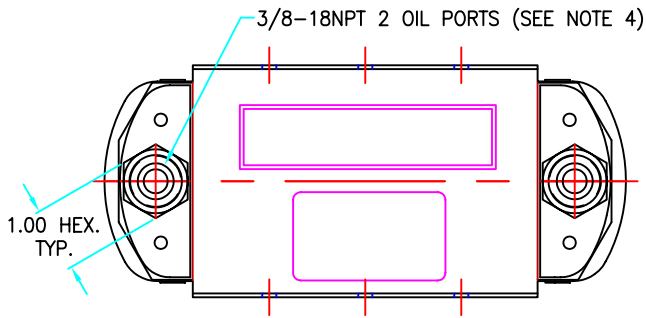
AIRFLOW SYSTEMS

HIGH PERFORMANCE HEAT EXCHANGERS

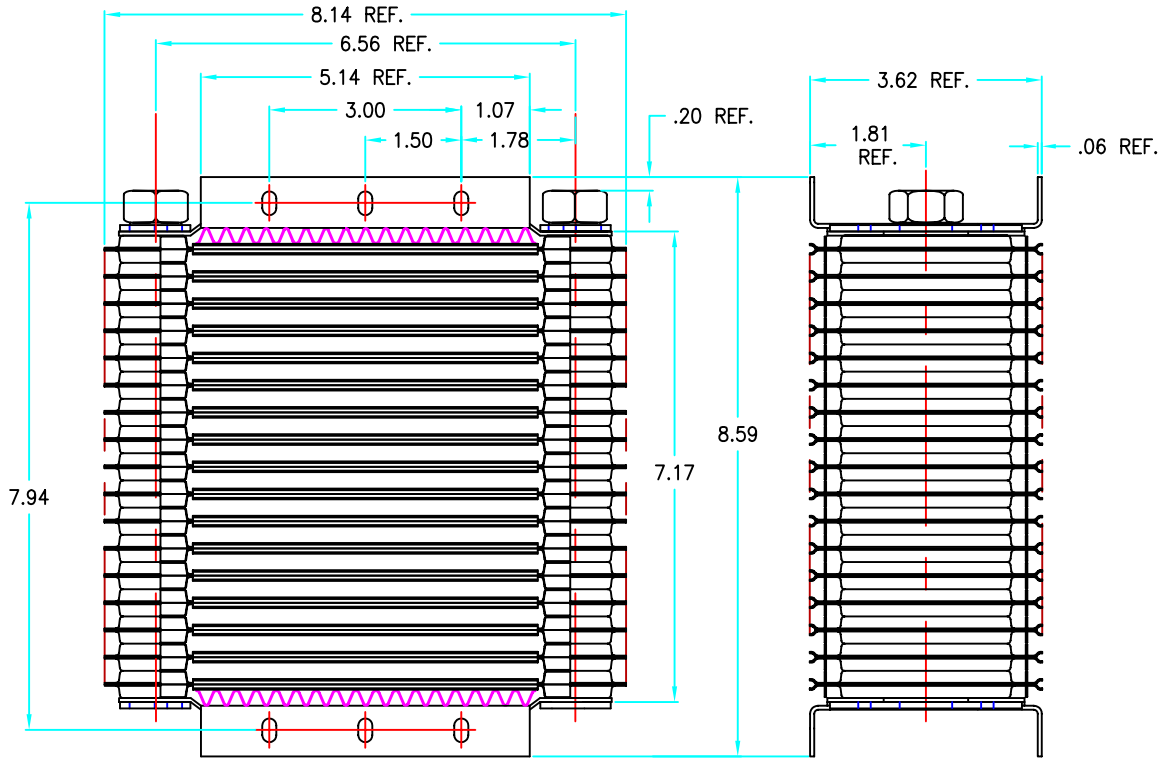
(949) 218-9701 (VOICE)
(949) 218-9705 (FAX)
WWW.AIRFLOW-SYSTEMS.COM

Airflow Systems

THIS DRAWING AND SPECIFICATIONS ARE THE PROPERTY OF AIRFLOW SYSTEMS AND ARE ISSUED IN STRICT CONFIDENCE. THEY SHALL NOT BE REPRODUCED, COPIED, OR USED AS THE BASIS FOR MANUFACTURE OR SALE OF MATTER DEPICTED HEREIN WITHOUT WRITTEN PERMISSION.



MOUNTING SLOTS
12 PLACES



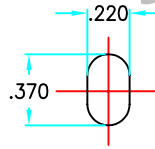
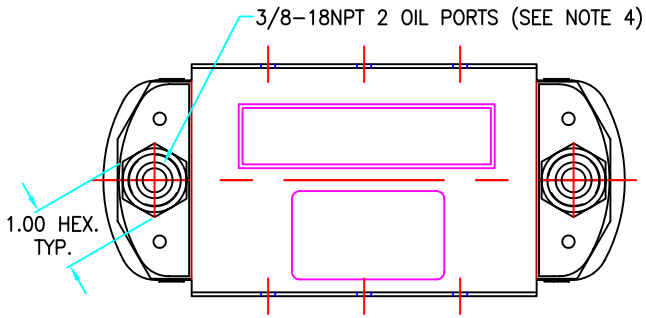
NOTES:

1. TEST PRESSURE 400 PSIG HYDROSTATIC
2. SURFACE TREATMENT PER MIL-C-5541 CLASS 1A
3. UNIT MAY BE OUT OF SQUARE .06 PER FOOT IN ANY DIRECTION.
4. AN MALE & FEMALE PORTS UP TO -12 MAY BE SUPPLIED WELDED IN AS A CUSTOM PART

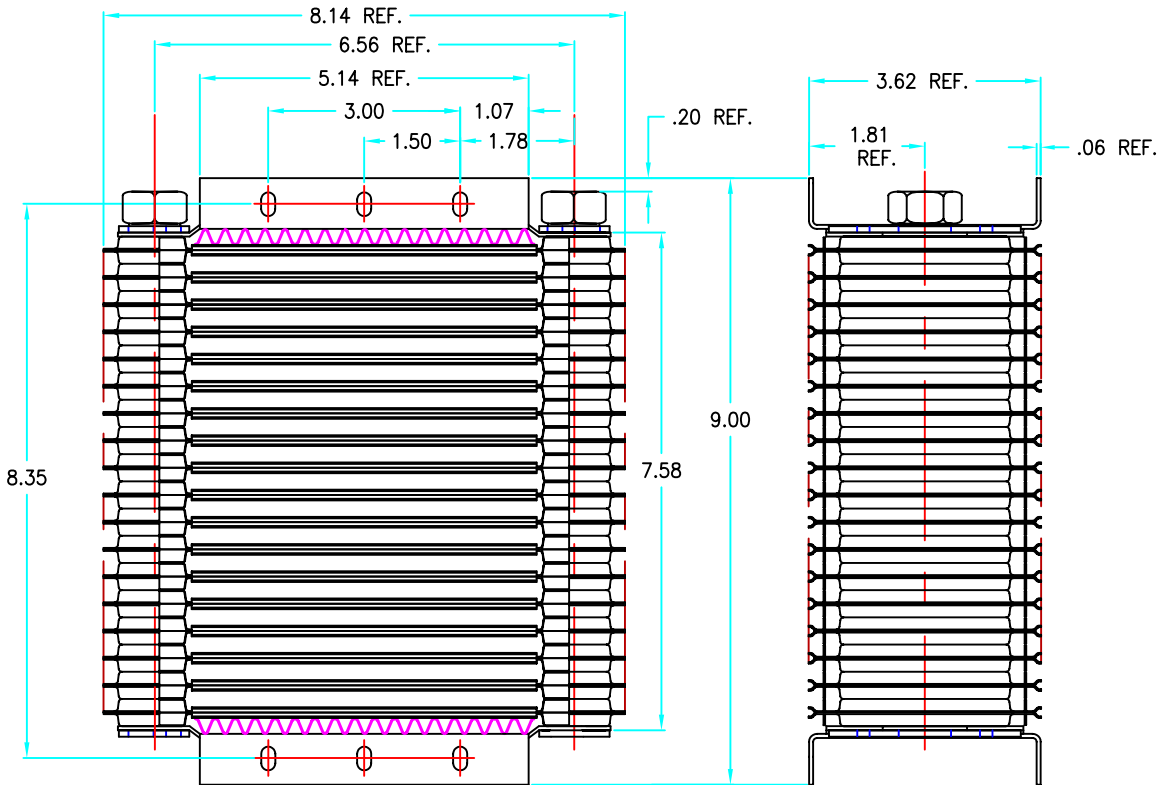
Part Number	Description
NDM 20008A	Oil Cooler, Aircraft, Certified & Experimental
<p style="text-align: center;">AVAILABLE FROM:</p> <p style="text-align: center;">AIRFLOW SYSTEMS</p> <p style="text-align: center;">HIGH PERFORMANCE HEAT EXCHANGERS</p> <div style="float: right; text-align: right;"> <p>(949) 218-9701 (VOICE)</p> <p>(949) 218-9705 (FAX)</p> <p>WWW.AIRFLOW-SYSTEMS.COM</p> </div>	

Airflow Systems

THIS DRAWING AND SPECIFICATIONS ARE THE PROPERTY OF AIRFLOW SYSTEMS AND ARE ISSUED IN STRICT CONFIDENCE. THEY SHALL NOT BE REPRODUCED, COPIED, OR USED AS THE BASIS FOR MANUFACTURE OR SALE OF MATTER DEPICTED HEREIN WITHOUT WRITTEN PERMISSION.



MOUNTING SLOTS
12 PLACES



NOTES:

1. TEST PRESSURE 400 PSIG HYDROSTATIC
2. SURFACE TREATMENT PER MIL-C-5541 CLASS 1A
3. UNIT MAY BE OUT OF SQUARE .06 PER FOOT IN ANY DIRECTION.
4. AN MALE & FEMALE PORTS UP TO -12 MAY BE SUPPLIED WELDED IN AS A CUSTOM PART

Part Number	Description
NDM 20009A	Oil Cooler, Aircraft, Certified & Experimental

<p>AVAILABLE FROM:</p> <p>AIRFLOW SYSTEMS</p> <p>HIGH PERFORMANCE HEAT EXCHANGERS</p>	<p>(949) 218-9701 (VOICE)</p> <p>(949) 218-9705 (FAX)</p> <p>WWW.AIRFLOW-SYSTEMS.COM</p>
--	--